

GARDEN AND POETRY
2023.01


inverlight[®]



GU10 / 220-240V / 2 corner lights / H 1000mm

FSAP1F1H1 

GU10 / 220-240V / 4 corner lights / H 2000mm

FSAP1F1H2 

GU10 / 220-240V / 2 opposite side lights / H 1000mm

FSAP2F1H1 


GU10 / 220-240V / 4 opposite side lights / H 2000mm

FSAP2F1H2 

GU10 / 220-240V / 1 light / H 1000mm

FSAP3F1H1 


GU10 / 220-240V / 2 same side lights / H 2000mm

FSAP3F1H2 


On request

ZA012 Kit to be buried for fixing in concrete

Finishing

IN  Inox

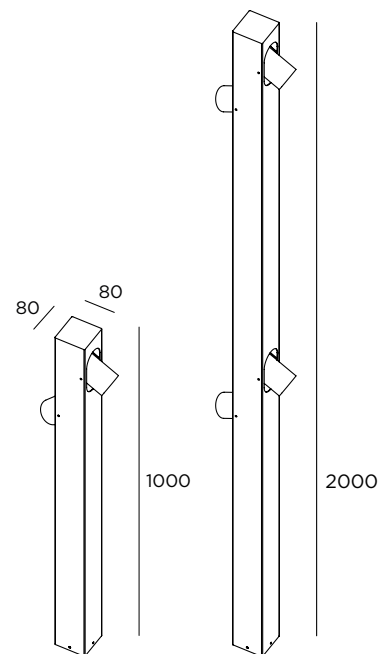
BT  Browntech

NB  Naturalblack

Falstaff

CE  IP65 IK09 220-240V

Stainless steel AISI 316L
Ground fixing with plugs or optional kit
Transparent glass diffuser
Black anti-glare honeycomb filter





inverlight

via P. Stucchi, 2 \, 20872 Cornate d'Adda (MB) Italy

tel. +39 039 6060754

www.inverlight.it \ info@inverlight.it