

GARDEN AND POETRY  
**2019**

**inverlight**<sup>®</sup>  
STAINLESS LIGHTING SOLUTIONS



E27 / 220-240V / 220 x 140 x H 400 mm

**CDDR1H1**     **IN** Inox  
**CDDR1H1**     **BT** Browntech  
**CDDR1H1**     **NB** Naturalblack

4W / 400lm / 220-240V / 220 x 140 x H 400 mm

**CDDR2H1** ■ **IN** Inox  
**CDDR2H1** ■ **BT** Browntech  
**CDDR2H1** ■ **NB** Naturalblack

E27 / 220-240V / 165 x 112 x H 320 mm

**CDDR1H2**     **IN** Inox  
**CDDR1H2**     **BT** Browntech  
**CDDR1H2**     **NB** Naturalblack

4W / 400lm / 220-240V / 165 x 112 x H 320 mm

**CDDR2H2** ■ **IN** Inox  
**CDDR2H2** ■ **BT** Browntech  
**CDDR2H2** ■ **NB** Naturalblack

E27 / 220-240V / 165 x 112 x H 400 mm

**CDDR1H3**     **IN** Inox  
**CDDR1H3**     **BT** Browntech  
**CDDR1H3**     **NB** Naturalblack

4W / 400lm / 220-240V / 165 x 112 x H 400 mm

**CDDR2H3** ■ **IN** Inox  
**CDDR2H3** ■ **BT** Browntech  
**CDDR2H3** ■ **NB** Naturalblack

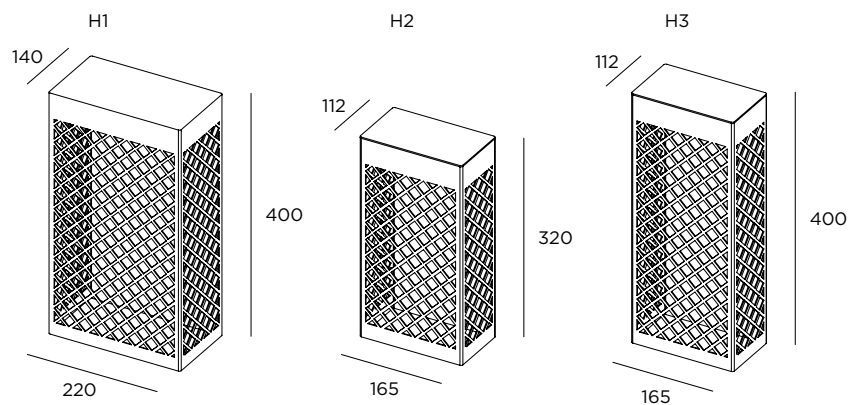
■ LED color

- 1** 2200 K
- 2** 2700 K
- 3** 3000 K

## Casta diva wall R1

CE LED IP65 IK08 220-240V

Stainless steel AISI 316L  
Wall installation  
Opal polycarbonate diffuser





**inverlight**  
FRANCESCO CASOTTINO SOCIETÀS P.A.S.

via P. Stucchi, 2 \ 20872 Cornate d'Adda (MB) Italy

tel. +39 039 6060754

[www.inverlight.it](http://www.inverlight.it) \ [info@inverlight.it](mailto:info@inverlight.it)