

GIARDINO E POESIA
2018

inverlight[®]
STAINLESS LIGHTING SOLUTIONS







6W / 600lm / 220-240V / 150 x 150 x H 300 mm

CDD1 ■ **IN** Inox

CDD1 ■ **BT** Browntech

CDD1 ■ **NB** Naturalblack

6W / 600lm / 220-240V / 200 x 200 x H 400 mm

CDD2 ■ **IN** Inox

CDD2 ■ **BT** Browntech

CDD2 ■ **NB** Naturalblack

■ colore LED

1 2200 K

2 2700 K

3 3000 K

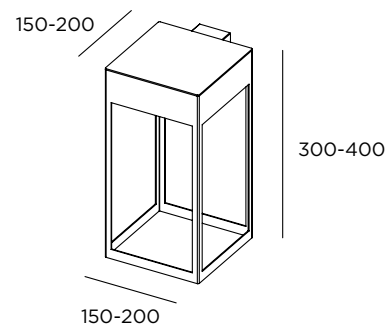
Trasformatori 24V p. 106

Casta diva wall

CE LED IP65 IK08 220-240V

Acciaio inox AISI 316L

Fissaggio a muro





via P. Stucchi, 2 \, 20872 Cornate d'Adda (MB) Italy

tel. +39 039 6060754

www.inverlight.it \ info@inverlight.it