

GARDEN AND POETRY  
**2019**

**inverlight**<sup>®</sup>  
STAINLESS LIGHTING SOLUTIONS



7W / 700lm / 24V / H 500 mm

**MAW1H1** ■ **IN** Inox  
**MAW1H1** ■ **BT** Browntech  
**MAW1H1** ■ **NB** Naturalblack

7W / 700lm / 24V / H 750 mm

**MAW1H2** ■ **IN** Inox  
**MAW1H2** ■ **BT** Browntech  
**MAW1H2** ■ **NB** Naturalblack

7W / 700lm / 220-240V / H 500 mm

**MAW2H1** ■ **IN** Inox  
**MAW2H1** ■ **BT** Browntech  
**MAW2H1** ■ **NB** Naturalblack

7W / 700lm / 220-240V / H 750 mm

**MAW2H2** ■ **IN** Inox  
**MAW2H2** ■ **BT** Browntech  
**MAW2H2** ■ **NB** Naturalblack

■ LED color

**1** 2200 K

**2** 2700 K

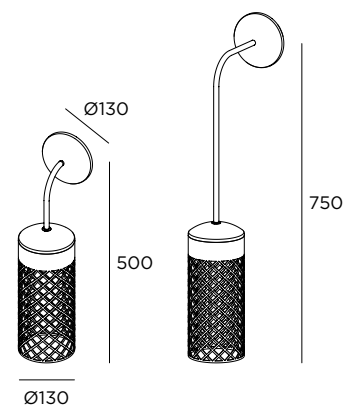
**3** 3000 K

**Drivers 24V** p. 182

## Mantra wall

CE LED IP65 IK08 24V / 220-240V

Stainless steel AISI 316L  
Indirect light  
Wall installation  
Opal polycarbonate diffuser





7W / 700lm / 24V / H 800 mm

**MAW1H3** ■ **IN** Inox  
**MAW1H3** ■ **BT** Browntech  
**MAW1H3** ■ **NB** Naturalblack

7W / 700lm / 220-240V / H 800 mm

**MAW2H3** ■ **IN** Inox  
**MAW2H3** ■ **BT** Browntech  
**MAW2H3** ■ **NB** Naturalblack

■ LED color

**1** 2200 K

**2** 2700 K

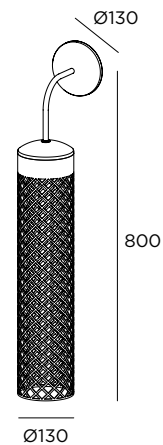
**3** 3000 K

**Drivers 24V** p. 182

## Mantra wall

CE LED IP65 IK08 24V / 220-240V

Stainless steel AISI 316L  
Indirect light  
Wall installation  
Opal polycarbonate diffuser





**inverlight**  
FRANCESCO CASOTTINO SOCIETÀS P.A.S.

via P. Stucchi, 2 \ 20872 Cornate d'Adda (MB) Italy

tel. +39 039 6060754

[www.inverlight.it](http://www.inverlight.it) \ [info@inverlight.it](mailto:info@inverlight.it)